

LINK Network Gateway

The Panasonic LINK Network Gateway provides a robust communication interface to the Panasonic family of VIEW Tags. With multiple ways to connect to your system and dual power options, the LINK Network Gateway is an integral part of any tagging solution.



Physical Specifications

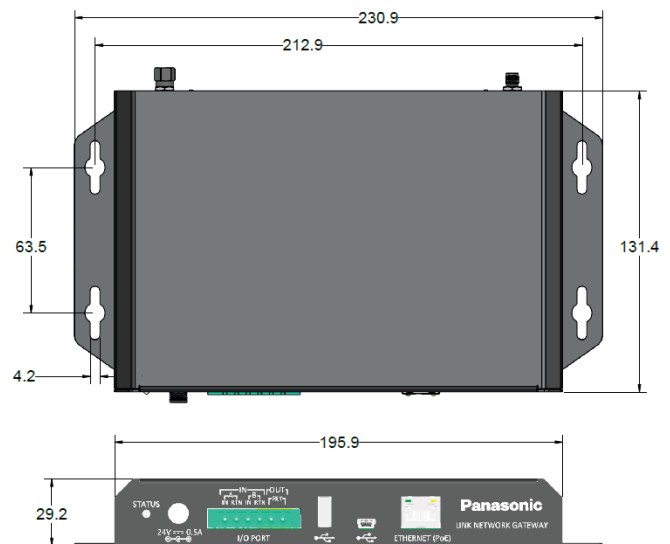
Size (mm)	231 × 131 × 29
Size (in)	9.1 × 5.2 × 1.1
Weight (g)	880 g
Construction	Steel enclosure
Attachment	Integrated mounting plate

Environmental Specifications

Storage Temperature	-40°C to +60°C
Operating Temperature	-40°C to +60°C
IP Rating	IP30
Vibration Resistance	MIL-STD-810G-2014
Warranty	1 year

Interfaces

Inputs	10/100 Mb Ethernet USB 2.0
Configuration	via integrated USB port or remote login via Ethernet
Radio Communication	Two 433 MHz channels standard (SMA sockets)
Radio protocol (software selectable)	Panasonic Proprietary (Logiscend) IEEE 802.15.4f (receive only)
Power	Dedicated DC input (6-30 V) POE (power over Ethernet)



LINK Network Gateway



Ordering Information

Model No.	Description
GWN2	LINK Network Gateway with USB, Ethernet and 2 433 MHz radio modules

Certifications

LINK Network Gateway

EN Standard*	EN 300 220-1 V3.1.1 EN 300 220-2 V3.2.1 EN 301 489-1 V2.1.1, -3 V1.6.1 EN 55032:2012/AC:2013, CISPR 32:2012 EN/IEC 61000-3-2:2014 EN/IEC 61000-3-3:2013 EN 55024:2010, EN 55035:2017 EN 61000-4-2:2009 IEC 61000-4-2:2008 EN 61000-4-3:2006: +A1:2008 + A2:2010 IEC 61000-4-3:2006 + A1:2007 + A2:2010 EN 61000-4-4:2012, IEC 61000-4-4:2012 EN/IEC 61000-4-5:2014 EN 61000-4-6:2014, IEC 61000-4-6:2013 EN 61000-4-8:2010, IEC 61000-4-8:2009 EN/IEC 61000-4-11:2004
--------------	--

FCC	FCC Part 15.231 FCC Part 15 subpart B
-----	--

IC	RSS-210 ICES-003
----	---------------------

Safety	IEC62368-1
--------	------------

* Contact for CE: Panasonic Marketing Europe GmbH, Panasonic Testing Center, Winsbergring 15, 22525 Hamburg, Germany



Visit logiscend.panasonic.com to learn more.

For more information, please contact IloT.sales@us.panasonic.com

Panasonic